

THIS DRAWING IS UNPUBLISHED.

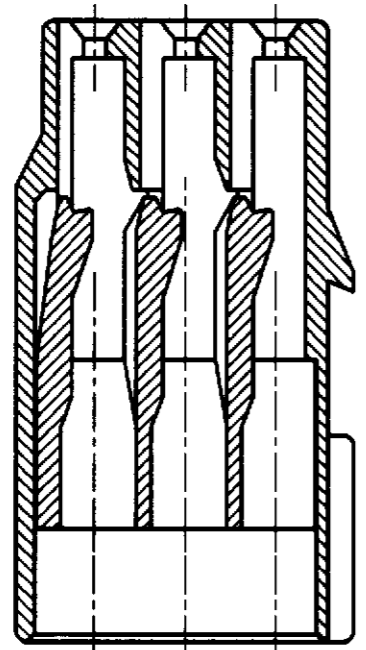
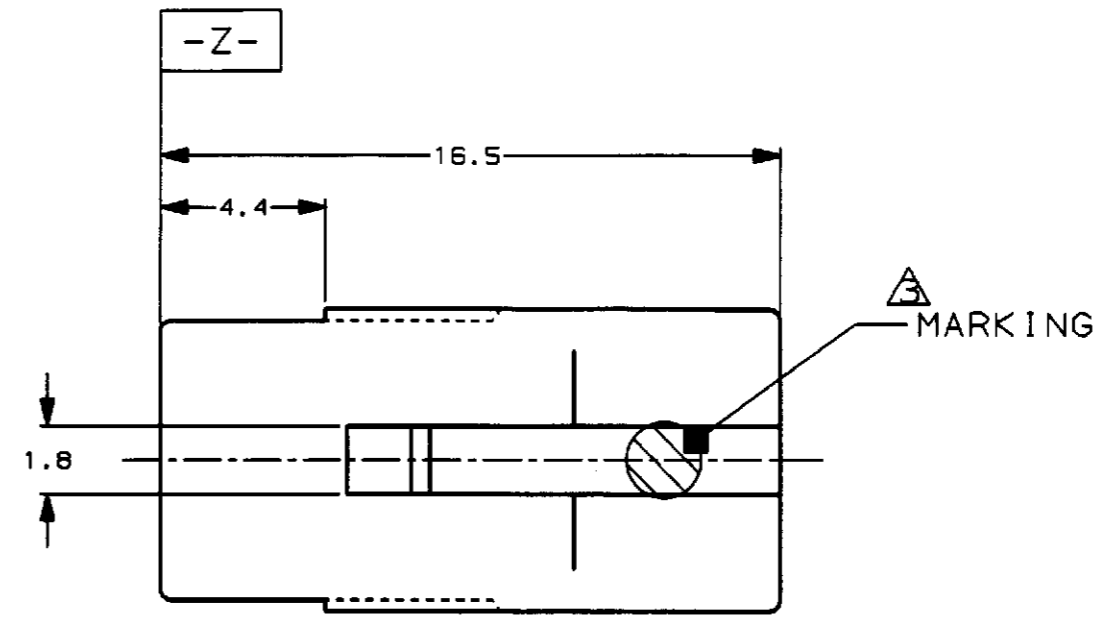
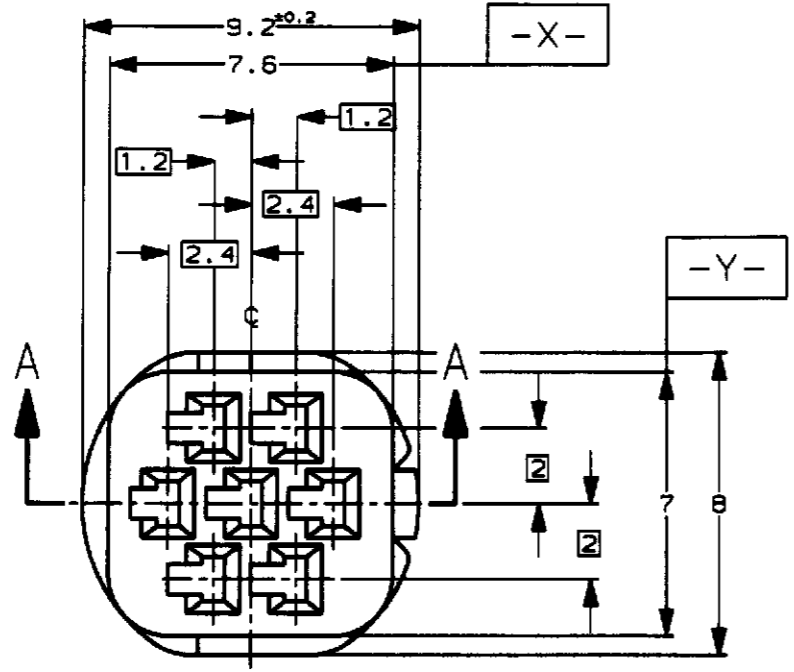
RELEASED FOR PUBLICATION

,19 .

© COPYRIGHT 1997

BY AMP INCORPORATED. ALL RIGHTS RESERVED.

LOC		DIST		REVISIONS				
				変更				
P	LTR	DESCRIPTION		ECN	DATE	DWN	APVD	
	0	RELEASED		FJ00-0569-97	15APR97	KA	KS	
	A	REVISED		FJ00-2055-98	27OCT98	TH	KY	



1. 嵌合相手ハウジング型番: 353900
2. 内装するリセコンタクト型番: 917308
3. 色: 桃色
4. 製品規格番号: 108-5426
5. 取扱説明書: 412-5653-1

1. THE MATING CAP HSG P/N 353900
2. APPLIED CONTACT P/N 917308
3. COLOR: PINK
4. PRODUCT SPEC. No.: 108-5426
5. INSTRUCTION SHEET: 412-5653

A-A

<small>THIS DRAWING IS A CONTROLLED DOCUMENT FOR AMP INCORPORATED. IT IS SUBJECT TO CHANGE AND THE CONTROLLING ENGINEERING ORGANIZATION SHOULD BE CONTACTED FOR THE LATEST REVISION.</small>		DWN	K. AOYAMA	10APR97	 <small>日本一電機株式会社</small> Kawasaki, Japan
DIMENSIONS:		CHK	H. TAKAGI	10APR97	
<small>単位 種</small> <small>mm</small>		APVD	K. SHIMIZU	15APR97	
<small>TOLERANCES UNLESS OTHERWISE SPECIFIED</small> <small>一般公差</small> 10mm ±0.2 30mm ±0.25 100mm ±0.3 ANGLE ±3°		PRODUCT SPEC	7Pos. PLUG HSG. MINI MULTI LOCK CONN. (NON-SEALED TYPE) 7極 プラグ ハウジング ミニ マルチロック コネクタ (非防水タイプ)		
<small>MATERIAL</small> PBT-GF PBTガラスス		APPLICATION SPEC	SIZE A3 CAGE CODE 00779 DRAWING NO. 353899		
<small>COLOR</small> SEE TABLE 表参照		WEIGHT	WEIGHT #-# CUSTOMER DRAWING		
		SCALE 5:1		SHEET 1 OF 1	REV A